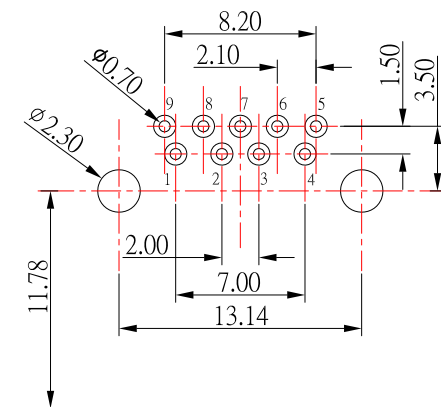
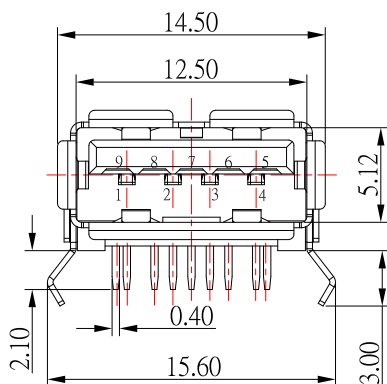
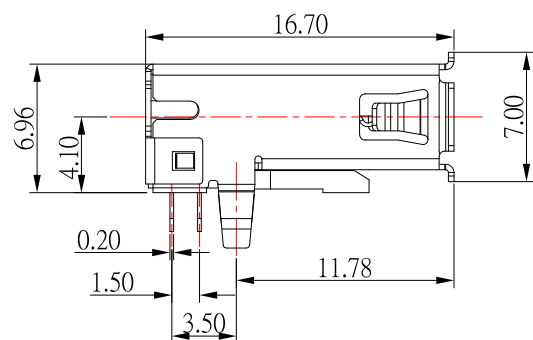
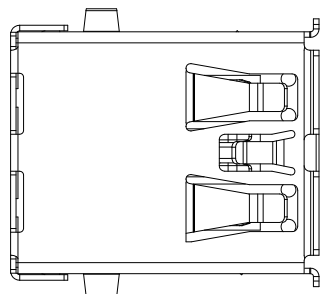




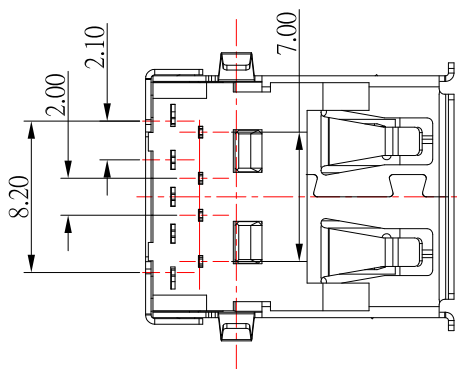
SUA-110H-30x-S277

鍍層厚度：

Blank : 1u"
2 : 15u"
3 : 30u"



RECOMMENDED PCBA LAYOUT



Pin NUMBER	SIGNAL NAME
1	VBUS
2	D-
3	D+
4	GND
5	StdA_SSRX-
6	StdA_SSRX+
7	GND_DRAIN
8	StdA_SSTX-
9	StdA_SSTX+
Shell	Shield

SPECIFICATIONS:

1. ELECTRICAL CHARACTERISTICS:

- 1.1 CONTACT CURRENT RATING: 1.5 A
- 1.1 CONTACT RESISTANCE: 30mΩ MAX
- 1.2 DIELECTRIC WITHSTANDING VOLTAGE: 100 V
- 1.3 INSULATION RESISTANCE: 100 MΩ MIN
- 1.4 OPERATING TEMPERATURE: -40°C ~ 85°C

2. MATERIAL:

- 2.1 HOUSING: LCP
- 2.2 CONTACT: PHOSPHOR BRONZE
- 2.3 SHELL: BRASS

3. PLATING:

- 3.1 CONTACT: PLATED GOLD IN MATING AREA ;
TIN PLATED ON SOLDER BALLS ;
NICKEL UNDER PLATED OVERALL
- 3.2 SHELL: NICKEL UNDER PLATED SURFACE LAYER

ITEM NO.	DESCRIPTION	DRAWN	DATE
4	更新HOUSING材質	Jack	102623
3	更新為A0版	Jack	081318
2	新增PIN定義	Jack	041717
1	更新圖面	Jack	033115



TOLERANCE UNLESS OTHERWISE STATED :
 Up to 5 ±0.2
 Above 5 ~ 15 ±0.3
 Above 15 ~ 30 ±0.4
 Above 30 ~ 50 ±0.5
 Angle ±0.3

3RD. ANGEL'S



UNITS MM

DRAWN BY:	DATE	MAT'L	TITLE	CONNECTOR
Jack Lu	10/26/23			
CHECKED BY:	DATE	FINISH	MODLE	USB AF 3.0 90度DIP 彎腳
Jacky Chen	10/26/23			
APPROVED BY:	DATE	SCALE	DWG NO.	SUA-110H-30x-S277
Tony Kao	10/26/23	1 : 1	PART NO.	SUA-110H-30x-S277
		SHEET NO.	1 of 1	
				SIZE A4
				VER R4